

ElectriCinema 235 • In-Ceiling Screen with Side Masking



2.35:1 CINEMASCOPE TO 16:9 HDTV AT THE PUSH OF A BUTTON

Designed to work with projectors that utilises Anamorphic Lens technology.

The ultimate Home Theatre experience is Cinemascope, just as the movie studios intended it to be ... and with the new ElectriCinema 235 you can have the best of both worlds, 2.35:1 Cinemascope for DVD movies and by utilizing the motorised side masking system, reshape the screen to 16:9 HDTV for widescreen TV broadcasts.

Supplied as an integrated in-ceiling solution, with fully paint finished underside, and ceiling edge trims for a single trade install.

System comes with removeable chassis for installation and maintenance issues. Screen box could be installed separately if required.

With the industry leading CONNECT control system as a standard inclusion, allowing IR control or contact close for integration with control systems, plus the ability to link with other CONNECT devices, such as projector lifts or roller blind systems, this screen has all the bells and whistles.

BENEFITS

- Original Movie Aspect Ratio 2.35:1
- Integrated Side Masking for 16:9
- One Piece In-Ceiling Design
- Flush Sitting Masking with no shadow-line

APPLICATIONS

- Home Theatre
- Home Theatre
- Home Theatre

PRODUCT FEATURES

Description: In-ceiling screen system with side masking for dual format Cinemascope to HDTV formats.

Head Box: MDF constructions with fully painted white underside & ceiling edge covers for easy install.

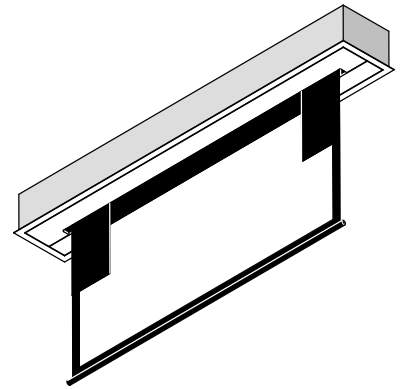
Surface: Matt White Fibreglass all sizes up to 150" Cinemascope, PVC for any Side Tension screen version.

Borders: 50mm Sides & Bottom with 500mm adjustable top black leader.

Options: Side Tension - Extra Top Masking (38)
- Underside Paint Colours (38).

Optional Top Leader: For sizes 100" and under the maximum total top black leader available is 500mm, for screen sizes over 100" the maximum top black leader available is 600mm.

Please Note: This product is not suitable to be used in conjunction with a Short Throw Projector.



Item No	Inch Diagonal	Image Size	Format
5608449	84"	835 x 1965	Cinemascope 2.35:1
5609249	92"	915 x 2155	Cinemascope 2.35:1
5609649	96"	955 x 2245	Cinemascope 2.35:1
5610049	100"	995 x 2340	Cinemascope 2.35:1
5611049	110"	1095 x 2575	Cinemascope 2.35:1
5612049	120"	1195 x 2810	Cinemascope 2.35:1
5613049	130"	1295 x 3045	Cinemascope 2.35:1
5614049	140"	1395 x 3280	Cinemascope 2.35:1
5615049	150"	1495 x 3515	Cinemascope 2.35:1

Also available in alternate CinemaScope format, e.g 2.40:1 / 2.37:1

CASE LENGTH IS PICTURE AREA WIDTH PLUS 580 mm
(without trim and assumes 50 mm side BB)

